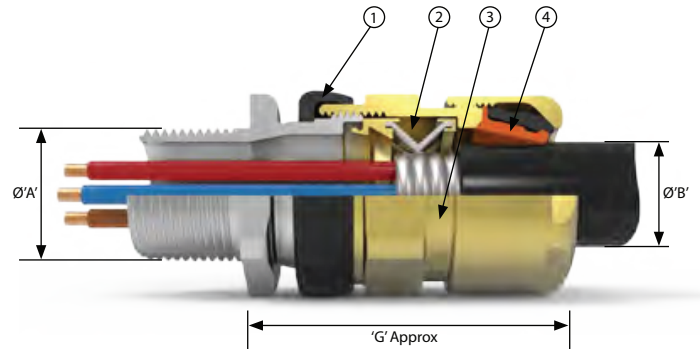




# 701

Increased Safety Exe for Zones  
North American Cable Gland

- 1 Inspectable Deluge Seal - Offering IP66, IP67, IP68 & IP69 Ingress Protection
- 2 Fully inspectable 360° grounding device which remains in contact with the cable when disassembled for inspection
- 3 Patented Cable Gland Tightening Guide - Helps prevent damage caused by over tightening
- 4 Unique Rear Seal - Offering ultimate sealing over an extremely wide cable acceptance range



International Approvals



The NEC® Compliant 701 gland certified Exe for zones is suitable for use with continuous corrugated Aluminum Metal Clad (MC-HL; MC) cable. Features a fully inspectable 360° grounding device which remains in contact with the cable when disassembled for inspection.

## Cable Gland Selection Table

Size Ref.	Entry Thread Size 'A'		Cable Acceptance Details				'G'	Hexagon Dimensions	
	Metric	NPT* Standard	Armour Jacket 'E'		Outer Jacket 'B'			Across Flats	Across Corners
			Min	Max	Min	Max			
A	M20	½" or ¾"	0.41"	0.64"	0.49"	0.81"	2.5"	1.18"	1.28"
B	M25	¾" or 1"	0.55"	0.93"	0.67"	1.02"	2.59"	1.42"	1.56"
C	M32	1" or 1¼"	0.85"	1.23"	0.87"	1.30"	2.93"	1.81"	1.99"
C2	M40	1¼" or 1½"	1.17"	1.59"	1.10"	1.61"	3.03"	2.17"	2.39"
D	M50	2" or 1½"	1.37"	1.96"	1.42"	2.07"	3.90"	2.56"	2.79"
E	M63	2½" or 2"	1.81"	2.55"	1.81"	2.57"	3.66"	3.15"	3.46"
F	M75	3" or 2½"	2.37"	2.98"	2.24"	3.07"	3.93"	3.74"	4.09"

Metric entry threads are 1.5mm pitch as standard, 15mm length of thread.  
Oversize glands are available for Wet Locations. Please contact Hawke for more details.

## Technical Data

Ingress Protection	IP66, IP67, IP68* (30 metres for 7 days; special conditions may apply), IP69 to IEC/EN 60529 and NEMA 4X
Deluge Protection	to DTS01
Operating Temperature	-60°C to +80°C
<b>NEC / CEC</b>	
NEC Protection Class	Class I, Zone I, AEx e IIC Gb; Zone 21, AEx tb IIIC Db
CEC Protection Class	Ex eb IIC Gb; Ex tb IIIC Db
Cable Types	MC, MC-HL
c UL us Listing Number	1024328
Construction & Test Standards	UL2225, UL514B, CSA C22.2 NO. 18.3-12, CSA C22.2 60079-0, CSA C22.2 60079-1, CSA 22.2 60079-7 and CSA 22.2 60079-31

## Ordering Information

Format for ordering is as follows:

Cable Gland Type	Size	Thread	Material
701	C	1" NPT	Brass

Order Example: 701 C 1" NPT Brass