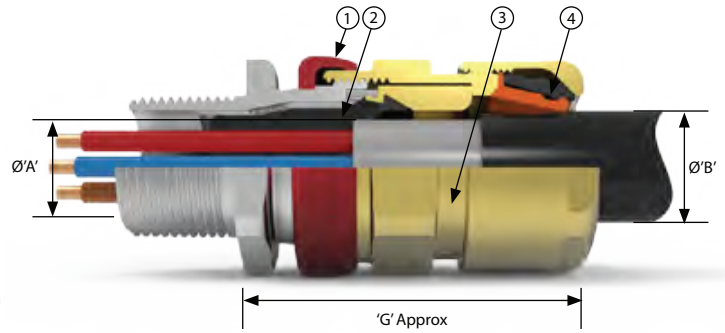




710

North American Explosion proof, IECEx and ATEX Approved Flameproof Exd, Increased Safety Exe (Note: Dual Marked UL & ATEX as standard)

- 1 Inspectable Deluge Seal - Offering IP66, IP67, IP68 & IP69 Ingress Protection
- 2 Transparent Elastomeric Fully Inspectable Compound Pot - compatible with both injectable resin and 2 part compound
- 3 Patented Cable Gland Tightening Guide - Helps prevent damage caused by over tightening
- 4 Unique Rear Seal - Offering ultimate sealing over an extremely wide cable acceptance range



International Approvals



The NEC® Compliant 710 dual certified Exe/Exd cable gland is suitable for use with the following cable types: TC-ER-HL, TC-ER, PLTC, PLTC-ER, ITC, ITC-HL & ITC-ER (see technical data for more information). The gland provides a barrier seal around the individual cores within the cable and prevents entry of the products of an explosion into the cable. The gland features the worlds only NEC® certified transparent elastomeric fully inspectable compound chamber

Cable Gland Selection Table												
Size Ref.	Entry Thread Size 'A'		Cable Acceptance Details						'G'	Hexagon Dimensions		
	Metric	NPT Standard	Inner Jacket Cores 'ØA'				Outer Jacket 'ØB'			Across Flats	Across Corners	
			Max Over Cores 'D'	Min Inner Jacket 'E'	Max Inner Jacket 'E'	Max No of Cores	Min	Max				
Os	M20	½"	0.31"	0.14"	0.32"	12	0.22"	0.47"	2.30"	0.94"	1.04"	
O	M20	½"	0.35"	0.26"	0.46"	12	0.37"	0.63"	2.30"	0.94"	1.04"	
A	M20	¾" or ½"	0.43"	0.33"	0.55"	15	0.49"	0.81"	2.39"	1.18"	1.28"	
B	M25	1" or ¾"	0.63"	0.44"	0.78"	30	0.66"	1.02"	2.65"	1.42"	1.56"	
C	M32	1¼" or 1"	0.86"	0.69"	1.03"	42	0.87"	1.30"	2.88"	1.81"	1.99"	
C2	M40	1½" or 1¼"	1.05"	0.91"	1.27"	60	1.10"	1.61"	3.08"	2.17"	2.39"	
D	M50	2"	1.48"	1.14"	1.74"	80	1.42"	2.07"	3.84"	2.56"	2.79"	
E	M63	2½"	1.93"	1.57"	2.20"	100	1.81"	2.57"	3.68"	3.15"	3.46"	
F	M75	3"	2.35"	1.99"	2.68"	120	2.24"	3.07"	4.11"	3.74"	4.09"	

Os-F size metric entry threads are 1.5mm pitch as standard, 15mm length of thread.

Technical Data

Ingress Protection	IP66, IP67 and IP68 (30 metres for 7 days, special conditions may apply) to IEC/EN 60529 and NEMA 4X
Deluge Protection	to DTS01
Operating Temperature	-60°C to +80°C
NEC / CEC	
NEC Protection Class	Class I Div 1 ABCD; Class II Div 1 EFG; Class III Class I Div 2 ABCD, Class II Div 2 FG and Class III Div 2 Class I, Zone 1, AEx d IIC; AEx e IIC; Zone 21, AEx tb IIIC
CEC Protection Class	Class I Div 1 ABCD; Class II Div 1 EFG; Class III Class I Div 2 ABCD, Class II Div 2 FG and Class III Div 2 Ex db IIC Gb; Ex eb IIC Gb; Ex tb IIIC Dc
Cable Types	TC-ER-HL, ITC-HL, TC, TC-ER, PLTC, PLTC-ER, ITC, ITC-ER
c UL us Listing Number	E84940
Construction & Test Standards	UL2225, UL514B, CSA C22.2 NO. 18.3-12, CSA 22.2 60079-0, CSA 22.2 60079-1, CSA 22.2 60079-7 and CSA 22.2 60079-31
ATEX/IECEx	
ATEX/IECEx Protection Class	Ex II 2GD Ex db IIC Gb; Ex eb IIC Gb; Ex tb IIIC Db
ATEX Certificate No	CML 18ATEX1268X
IECEx Certificate No	CML 18.0131X
Construction & Test Standards	IEC/EN 60079-0, IEC/EN 60079-1, IEC/EN 60079-7 and IEC/EN 60079-31
Additional Certifications	EAC: TC RU C-GB HA91 B 0046 19 Inmetro: IEx 14.0272X PESO: P450038

Ordering Information

Format for ordering is as follows:

Cable Gland Type	Size	Thread	Material
710	C	M32	Stainless Steel
710	C	1" NPT	Brass

Order Example: 710 C M32 Stainless Steel