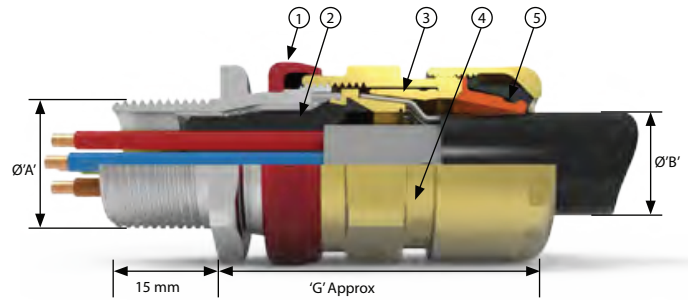




753

North American, Explosion proof, IECEx and ATEX Approved Flameproof Exd, Increased Safety Exe (Dual Marked UL & ATEX as standard)

- 1 Inspectable Deluge Seal - Offering IP66, IP67, IP68 & IP69 Ingress Protection
- 2 Transparent Elastomeric Fully Inspectable Compound, Pot – compatible with both injectable resin and 2 part compound
- 3 Reversible Armour Clamp - For all types of armour and braid
- 4 Patented Cable Gland Tightening Guide - Helps prevent damage caused by over tightening
- 5 Unique Rear Seal - Offering ultimate sealing over an extremely wide cable acceptance range



International Approvals



The NEC® Compliant 753 dual certified Exe/Exd gland is now suitable for use with single wire armour 'W', wire braid 'X', steel tape armour 'Z' and provides a barrier seal to the individual cores within the cable and prevents entry of the products of an explosion into the cable. The gland features the worlds only NEC® compliant transparent elastomeric fully inspectable compound chamber. The 753 is available with either ExPress liquid barrier resin or QSP 2-part hand mix compound, both with a cure time of 30 minutes.

Cable Gland Selection Table

Size Ref.	Entry Thread Size 'A'		Cable Acceptance Details						'G'	Hexagon Dimensions		
	Metric	NPT* Standard	Inner Jacket Cores 'θA'			Outer Jacket 'θB'		Armour / Braid 'θC'		Across Flats	Across Corners	
			Max Over Cores	Max Inner Jacket	Max No Cores	Min	Max	Orientation 1				Orientation 2
Os	M20	½"	0.31"	0.32"	12	0.22"	0.47"	0.0315"/0.0492"	0°/0.0315"	2.3"	0.94"	1.04"
O	M20	½"	0.35"	0.46"	12	0.37"	0.63"	0.0315"/0.0492"	0°/0.0315"	2.3"	0.94"	1.04"
A	M20	¾" or ½"	0.43"	0.55"	15	0.49"	0.81"	0.0315"/0.0492"	0°/0.0315"	2.39"	1.18"	1.28"
B	M25	1" or ¾"	0.63"	0.78"	30	0.67"	1.02"	0.0492"/0.063"	0°/0.0276"	2.65"	1.42"	1.56"
C	M32	1¼" or 1"	0.86"	1.03"	42	0.87"	1.30"	0.063"/0.0787"	0°/0.0276"	2.88"	1.81"	1.99"
C2	M40	1½" or 1¼"	1.05"	1.27"	60	1.10"	1.61"	0.063"/0.0787"	0°/0.0276"	3.08"	2.17"	2.39"
D	M50	2"	1.48"	1.74"	80	1.42"	2.07"	0.0709"/0.0984"	0°/0.0394"	3.84"	2.56"	2.79"
E	M63	2½"	1.93"	2.20"	100	1.81"	2.57"	0.0709"/0.0984"	0°/0.0394"	3.68"	3.15"	3.46"
F	M75	3"	2.35"	2.68"	120	2.24"	3.07"	0.0709"/0.0984"	0°/0.0394"	4.11"	3.74"	4.09"

Os-F size metric entry threads are 1.5mm pitch as standard, 15mm length of thread. Oversize glands are available.

Technical Data

Ingress Protection	IP66, IP67, IP68* (30 metres for 7 days; special conditions may apply), IP69 to IEC/EN 60529 and NEMA 4X
Deluge Protection	to DTS01
Operating Temperature	-50°C to +80°C
NEC/CEC	
NEC Protection Class	Class I Div 1 ABCD, Class II Div 1 EFG and Class III Class I, Zone I, AEx d IIC; AEx e IIC; Zone 21, AEx tb IIIC
CEC Protection Class	Class I Div 1 ABCD, Class II Div 1 EFG and Class III Ex db IIC Gb; Ex eb IIC Gb; Ex tb IIIC Db
Cable Types	ITC, PLT
c UL us Listing Number	E84940
Construction & Test Standards	UL2225, UL514B, CSA C22.2 NO. 18.3-12, CSA 22.2 60079-0, CSA 22.2 60079-1, CSA 22.2 60079-7 and CSA 22.2 60079-31
ATEX/IECEx	
ATEX/IECEx Protection Class	Ex II 2GD Ex db IIC Gb; Ex eb IIC Gb; Ex tb IIIC Db
ATEX Certificate No	CML 18ATEX1268X
IECEx Certificate No	CML 18.0131X
Construction & Test Standards	IEC/EN 60079-0, IEC/EN 60079-1, IEC/EN 60079-7 and IEC/EN 60079-31
Additional Certifications	EAC: TC RU C-GB HA91 B 0046 19 Inmetro: IEx 14.0272X PESO: P450038

Ordering Information

Format for ordering is as follows: Alternative Clamping Ring (AR), add suffix AR to ordering information

Cable Gland Type	Size	Thread	Material
753	C	M32	Brass
753	C	1" NPT	Stainless Steel

Example Code: 753 C M32 EP Stainless Steel