

Metallic dome head (Exde) stopping plugs - PDU Series



Type PDU

Features

- International Ex approvals
- IP66, IP68, CSA Enclosure Type (NEMA) 4X, 6P
- Available in brass, stainless steel, mild steel and aluminium
- Various threadforms available

Benefits

- Provides method of filling unused entries in equipment
- Maintains Ex certification
- Maintains IP integrity

Materials

- Brass CZ121
- 316 stainless steel
- Aluminium
- Mild Steel

Threadforms

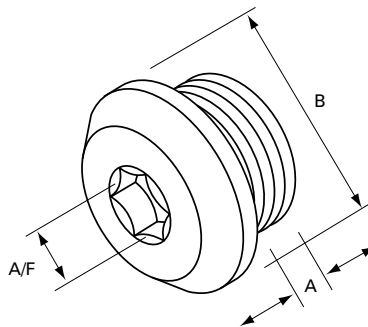
- Metric
- NPT
- NPSM
- PG
- ISO pipe (BSP)
- ET

Plating options

- Electroless nickel
- Zinc
- Others on application

Dimensions of metric versions

| Size | Thread length (A) | Hex (Allen) key A/F | Diameter (B) |
|------|-------------------|---------------------|--------------|
| M16 | 15.00 | 10.00 | 22.00 |
| M20 | 15.00 | 10.00 | 27.00 |
| M25 | 15.00 | 10.00 | 31.75 |
| M32 | 15.00 | 10.00 | 40.00 |
| M40 | 15.00 | 10.00 | 47.63 |
| M50 | 15.00 | 10.00 | 57.15 |
| M63 | 15.00 | 14.00 | 69.85 |
| M75 | 15.00 | 14.00 | 82.55 |



Technical specification

Code of protection categories

ATEX: I M2, II 2 GD Ex d I/IIC Mb Gb, Ex e I/IIC Mb Gb, Ex tb IIIC Db, IP6X

IECEX: Ex d I/IIC, Mb/Gb, Ex e I/IIC, Mb/Gb, Ex tb IIIC Db, IP6X

CSA: Ex de IIC IP66/67/68; Class I, Division 1 and 2; Groups A, B, C, D; Class II, Groups E, F, G; Class III; Enclosure Type 4X/6P

GOST: ExdeIU, ExdeIIICU, IP66/67/68

Compliance standards

ATEX: EN 60079-0, EN 60079-1, EN 60079-7, EN 60079-31

IECEX: IEC 60079-0, IEC 60079-1, IEC 60079-31, IEC 60079-7

CSA: C22.2 No. 30-M1986 (R2012), CAN/CSA 60079-0-11, CAN/CSA 60079-1-11, CAN/CSA 60079-7-12, CAN/CSA 60079-31:12, UL1203-5th Edition

Certificate details

ATEX: Sira 00ATEX1094X

IECEX: IECEX SIR 12.0016X

CSA: 1248014 (LR 106084)

GOST: TR RU C-GB.GB06.B.00106

Temperature

Temperature will depend on the type of o-ring used

None: -50°C to +180°C

Nitrile: -20°C to +80°C (supplied as standard)

EPDM: -30°C to +125°C

Neoprene: -20°C to +100°C

Viton: -5°C to +180°C

Silicone: -30°C to +180°C

Fluorosilicone: -50°C to +150°C

The maximum temperature is limited to +150°C for Group I applications

Ingress protection (IP):

Independently tested to IP66 / IP68 when fitted in accordance to manufacturer's instructions

Part number:

Please refer to page 10 for part numbering system